

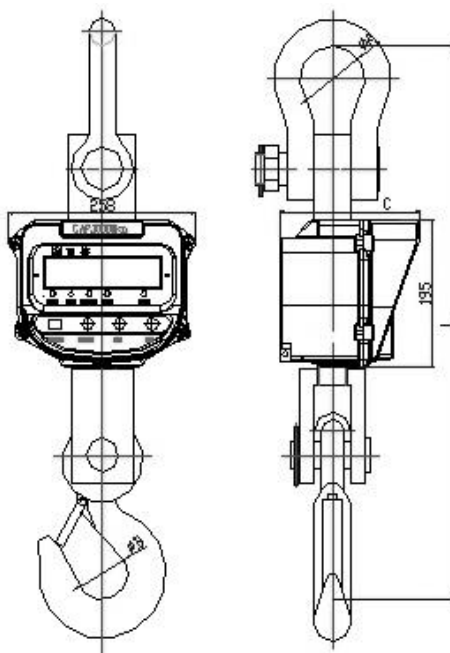
## CRANE SCALES

OCS-XZ-AAE



### FEATURES

- Micro die casting aluminum-magnesium alloy housing with high strength
- Convenient 360° swivel hook
- Hold, zero and division selection
- High capacity rechargeable battery
- Super bright 5 digit red LED display with 30mm letter height
- Remote control



OCS-XZ-15	817	135	85	196
OCS-XZ-10	787	90	70	191
OCS-XZ-5	693	80	60	176
OCS-XZ-3	590	76	47	167
OCS-XZ-2	590	76	47	167
OCS-XZ-1	590	76	47	167
吊秤型号	L	A	B	C

## SPECIFICATIONS

Model	AAE-1T	AAE-2T	AAE-3T	AAE-5T	AAE-10T	AAE-15T
Capacity (kg)	1.000	2.000	3.000	5.000	10.000	15.000
Resolution (kg)	0,5	1	1	2	5	10
Operating Temperature	-10° to 40°C, 10 to 85% relative humidity, non-condensing					
Power	Input: AC 100 - 240V 50Hz, Rechargeable Battery 6V4AH					
Battery Life	Maximum 120 hours					
Warranty	One-year limited warranty					